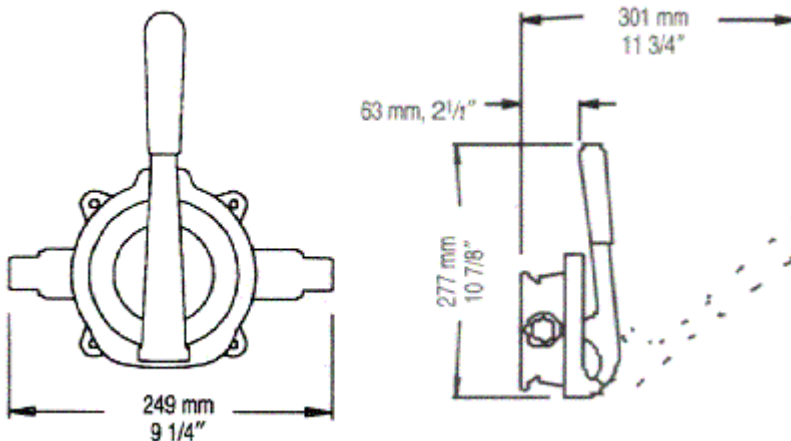


Gusher Urchin - On Bulkhead / Fixed Handle

Model:	On Bulkhead/ fixed handle
Hose Connections:	38mm (1 1/2") Smooth bore hose connections
Weight:	597g (1lb 6oz)
Materials:	Acetal copolymer, glass filled polypropylene, nylon, stainless steel, Nitrile and Neoprene™.
Service Kit:	AK9003 Neoprene™ parts and AK9011 Nitrile parts (oil & diesel) Contains: Diaphragms, valves & circlips.
Maximum Priming Height:	4 metres (13.5ft)
Maximum Head:	3 metres (10ft)

Performance Data 25mm (1") Hose			
Flow Rate			
Lift	Head	45 Strokes per min	70 Strokes per min
1m (3ft)	0.5m (1.5ft)	25 ltrs (7 US gals)	43 ltrs (11.4 US gals)

Performance Data 38mm (1 1/2") Hose			
Flow Rate			
Lift	Head	45 Strokes per min	70 Strokes per min
1m (3ft)	0.5m (1.5ft)	37.5 ltrs (7 US gals)	55 ltrs (14.5 US gals)
2m (6ft)	0.5m (1.5ft)	36 ltrs (7 US gals)	53 ltrs (14 US gals)
2m (6ft)	0.5m (1.5ft)	25 ltrs (7 US gals)	40 ltrs (10.6 US gals)



Whale Gusher Urchin Standard & Removable Handle Pumps

NOTE* Contained in Service kit AK9003 (neoprene) or AK9011 (nitrile)

