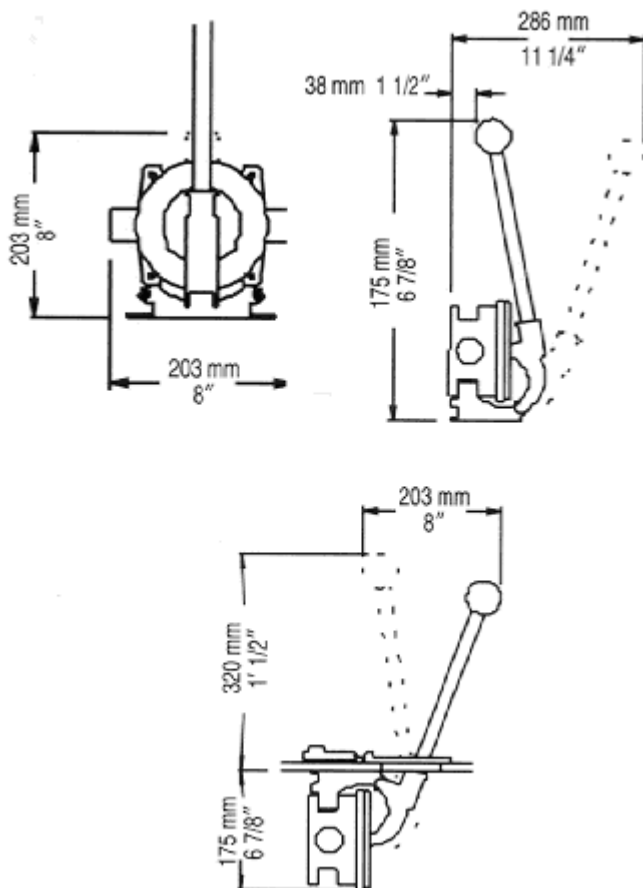


Gusher 10

Models	Standard	Thru Deck/ Bulkhead
Hose Connections:	38mm (1 1/2") Smooth bore hose connections	
Weight:	2.26kg (5 lb)	
Materials:	Marine Grade LM6 Aluminium alloy, epoxy coated, stainless steel, Nitrile and Neoprene™	
Service Kit:	AK3706 Neoprene™ parts and AK3714 Nitrile parts for oil & diesel. Contains: Diaphragms & valves, buffer, gasket & screws.	
Accessories:	Deckplate kits DP3804 alloy deckplate with lid or DP8904 plastic deckplate with lid Spare Handle AS4405	
Maximum Priming Height:	4 metres (13.5ft)	
Maximum Head:	4 metres (13.5ft)	



Whale Gusher 10 Pump Mk.3

NOTE* Contained in Service kit AK3706 (neoprene) or AK3714 (nitrile)

